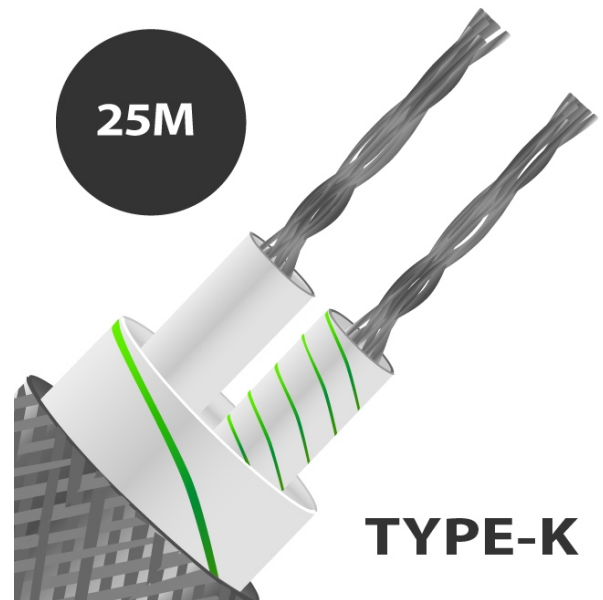
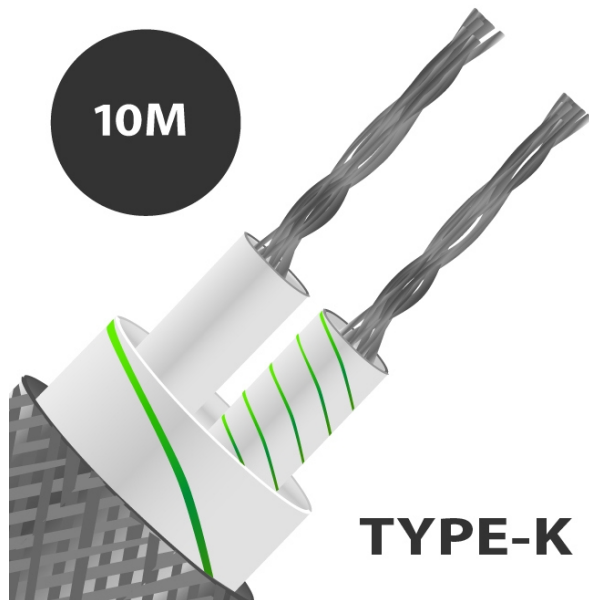
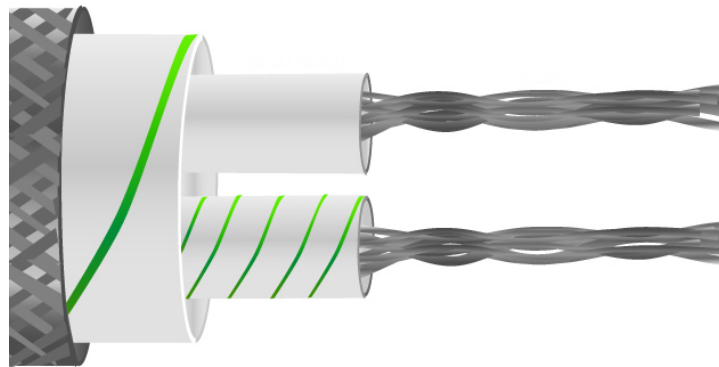


Type K Glassfibre Insulated Flat Pair Cable / Wire with Stainless Steel Overbraid (IEC)



Labfacility are the UK's leading manufacturer of Temperature Sensors, Thermocouple Connectors and associated Temperature Instrumentation and stockings of Thermocouple Cables. The Company has been trading since 1971 and is ISO9001 accredited.

Type K Glassfibre Insulated Flat Pair Cable / Wire with Stainless Steel Overbraid (IEC)

Glassfibre insulated flat pair construction, conductors laid flat, Glassfibre insulated with Glassfibre jacket, silicone varnished throughout + stainless steel overbraid for added protection and mechanical strength. Good temperature resistance but not suitable where fluids are present.

Specifications
Specifications

General Description	Good strength to physical disturbance and high temperature (up to 400°C). Will not prevent ingress of fluids.
Cable Length	5m, 10m, 25m, 50m, 100m
Cable Type	Flat pair cable
Core / Strands	7/0.2mm
Conductor Cross Section 7/0.2 (mm²)	0.219
+ Colour	Green
- Colour	White
Drain Wire	No
Insulation Material	Glassfibre insulated extension cable with stainless steel overbraiding
Loop Resistance 7/0.2 (Ohms per combined metre)	4.5
Max. Temperature	+350°C (short periods up to 400°C)
Min. Temperature	-60°C
+ Conductor	Nickel Chromium



- Conductor	Nickel Aluminium
Screen	No
Standards Met	Colour code (cores & jacket) to IEC-584-3
Thermocouple Type	K
Tolerance	Class 2