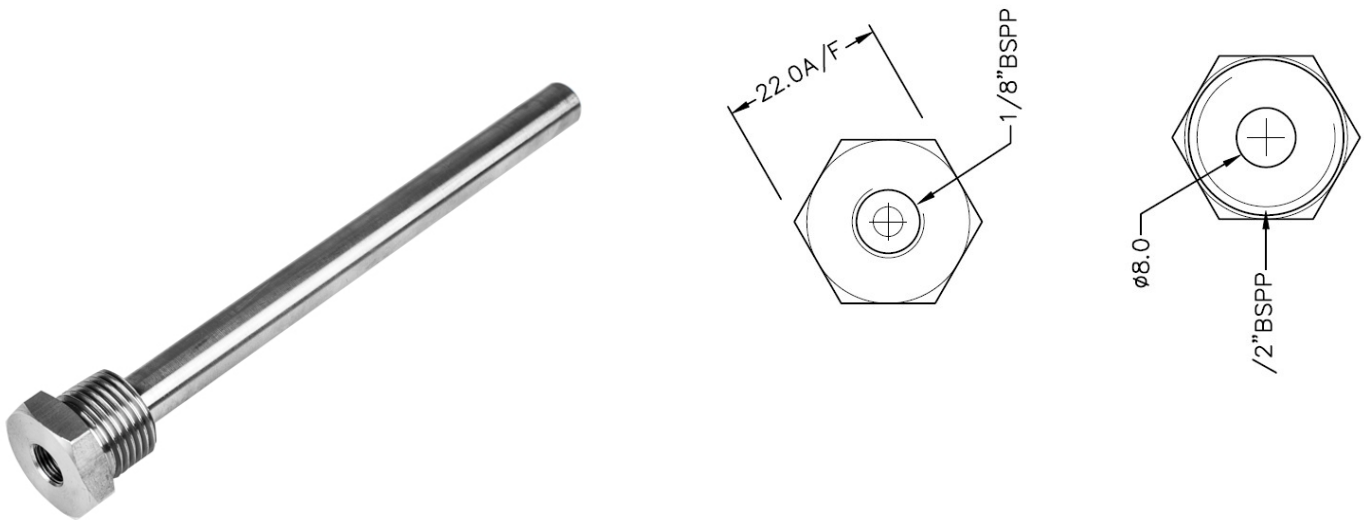


Fabricated Thermopockets



[Click here to view product](#)

Product Code	XE-5443
General Description	Fabricated Thermopockets in varying sizes for use with Industrial Style Temperature Probes.
Material	Stainless steel
Type & Stem Diameter	316SS with 7/16" or 8mm stem
Stem Length	50mm, 100mm, 150mm, 350mm, 550mm