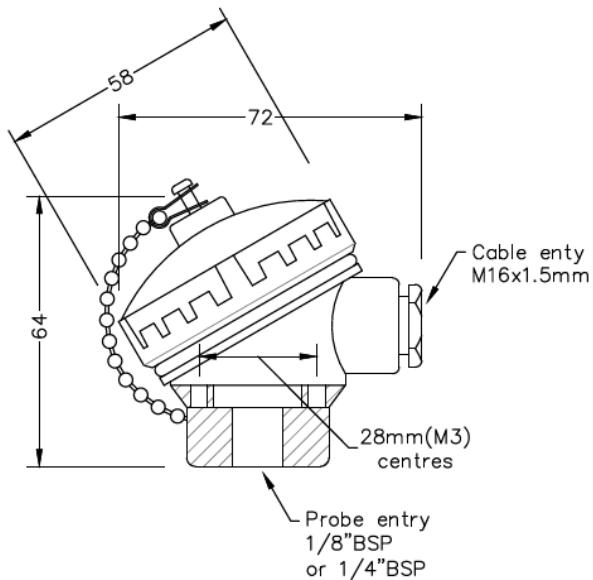


KNS Miniature Terminal Heads



Labfacility are the UK's leading manufacturer of Temperature Sensors, Thermocouple Connectors and associated Temperature Instrumentation and stockings of Thermocouple Cables. The Company has been trading since 1971 and is ISO9001 accredited.

Many alternative types of terminal heads are available to meet the requirements of various applications.

Variations exist in size, material, accommodation, resistance to media, resistance to fire or even explosion and in other parameters.

KNS Miniature Terminal Heads are compact enclosures designed to house electrical connections, particularly for sensors and transmitters in applications where space is limited.

Despite their small size, these terminal heads provide robust protection and reliable performance.

Specifications

Specifications

Head Type	KNS Miniature Terminal Heads
Material	Aluminium
Cable Entry	M16 x 1.5mm
Fixing (Centres)	28mm
Max. Temperature	170°C
IP Rating	IP67 rated
Process Entry	1/4", 1/8" BSP
Cap Retaining Type	Screw cap and retaining chain