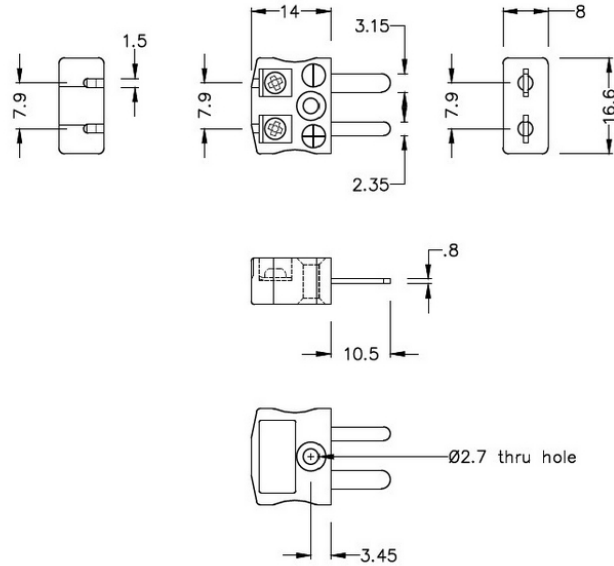


Miniature Quick Wire Connector Thermocouple Plug IM-K-MQ Type K IEC



Miniature in-line Plug - Quick Wire
(dimensions in mm)

[Click here to view product](#)

Product Code	XE-1111-001
General Description	Easy jab-in connection for rapid termination.
Thermocouple Type	K IEC
Connector Type	Quick Wire Plug
Connector Size	Miniature
Colour	Green
Max. Temperature	220°C
Pins	Flat Pins
+Positive Contact	Nickel Chromium
-Negative Contact	Nickel Alloy



Standards Met	BS EN 50212:1997. RoHS
---------------	------------------------

