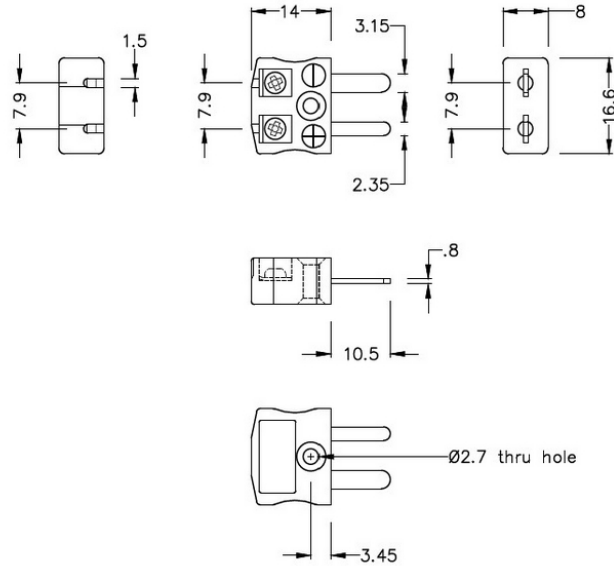


Miniature Quick Wire Connector Thermocouple Plug IM-T-MQ Type T IEC



Miniature in-line Plug - Quick Wire
(dimensions in mm)

[Click here to view product](#)

Product Code	XE-1201-001
General Description	Easy jab-in connection for rapid termination.
Thermocouple Type	T IEC
Connector Type	Quick Wire Plug
Connector Size	Miniature
Colour	Brown
Max. Temperature	220°C
Pins	Flat Pins
+Positive Contact	Copper
-Negative Contact	Copper Nickel



Standards Met	BS EN 50212:1997. RoHS
----------------------	------------------------

