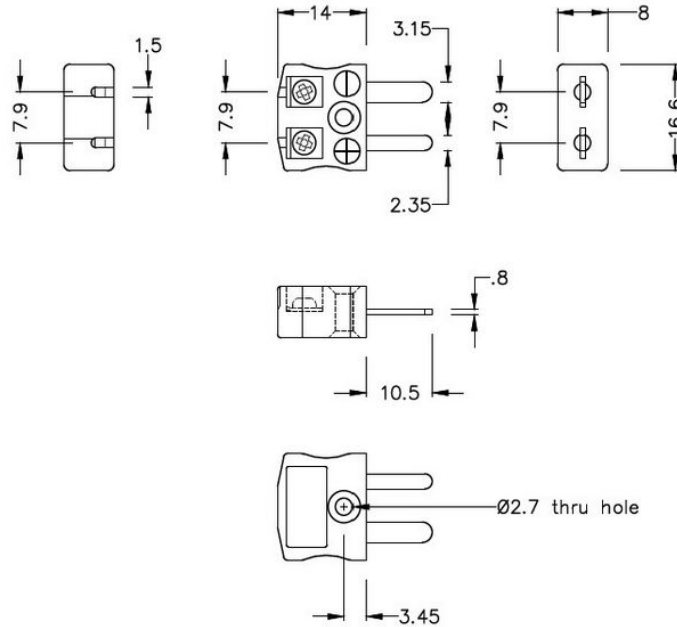
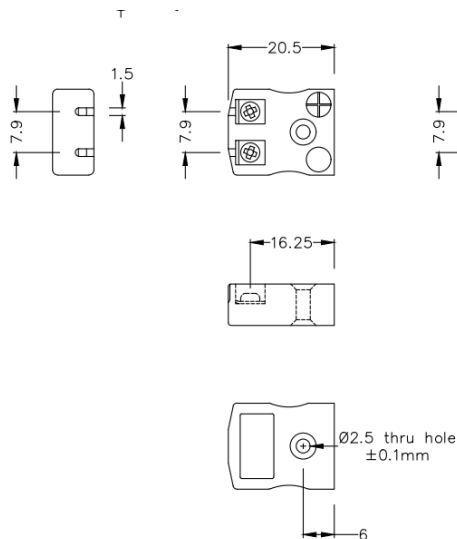


# Miniature Quick Wire Thermocouple Connector Plug & Socket AM-T-MQ+FQ Type T ANSI



**Miniature in-line Plug - Quick Wire**  
(dimensions in mm)



**Miniature in-line Socket - Quick Wire**  
(dimensions in mm)



Labfacility are the UK's leading manufacturer of Temperature Sensors, Thermocouple Connectors and associated Temperature Instrumentation and stockings of Thermocouple Cables. The Company has been trading since 1971 and is ISO9001 accredited.

**Miniature Thermocouple Connector Quick Wire Plug & Socket AM-T-MQ+FQ Type T ANSI**

Miniature connector with flat plug pins. Easy jab-in connection for rapid termination. Just push-in wire & tighten screw.

**Specifications****Specifications**

<b>Product Code</b>	XE-1022-001
<b>General Description</b>	Easy jab-in connection for rapid termination
<b>Thermocouple Type</b>	T ANSI
<b>Connector Size</b>	Miniature
<b>Connector Type</b>	Quick Wire Plug & Socket
<b>Colour</b>	Blue
<b>Max. Temperature</b>	220°C
<b>Pins</b>	Flat Pins
<b>+Positive Contact</b>	Copper
<b>-Negative Contact</b>	Copper Nickel
<b>Standards Met</b>	BS EN 50212:1997. RoHS