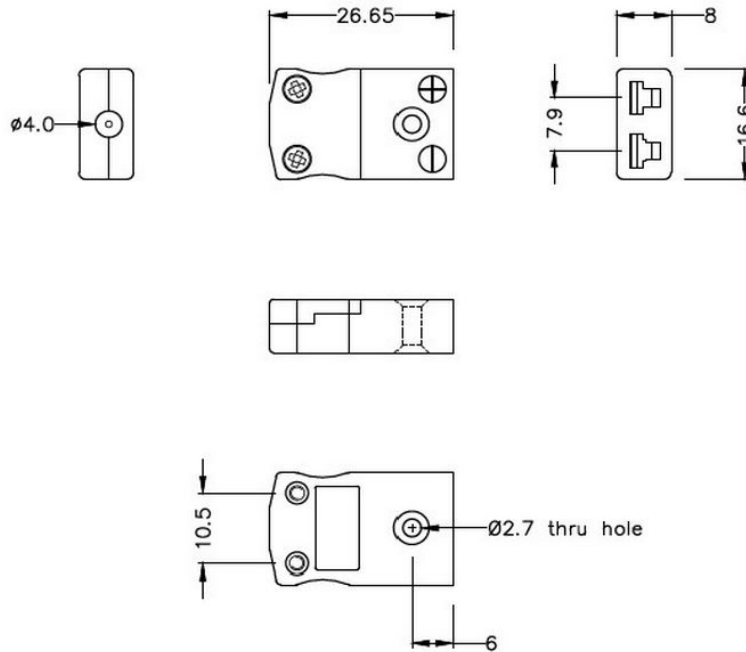
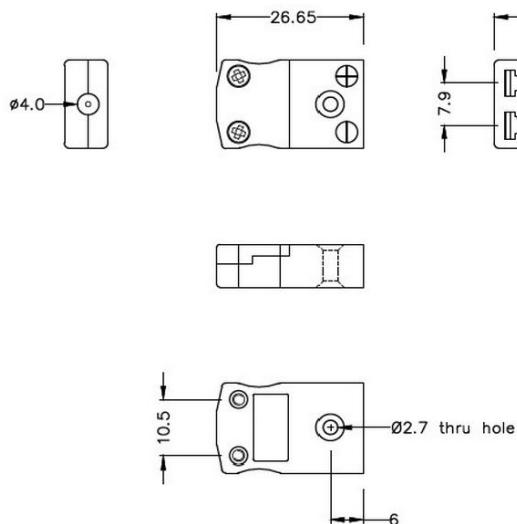


# Miniature Thermocouple Connector Plug & Socket JM-J-M+F Type J JIS



**Miniature in-line Socket**  
(dimensions in mm)



**Miniature in-line Socket**  
(dimensions in mm)



Labfacility are the UK's leading manufacturer of Temperature Sensors, Thermocouple Connectors and associated Temperature Instrumentation and stockings of Thermocouple Cables. The Company has been trading since 1971 and is ISO9001 accredited.

**Miniature Thermocouple Connector Plug & Socket JM-J-M+F Type J JIS**

With flat pins to suit thermocouple type and ideal for general purpose use, all contacts are polarised to ensure correct connection. These connectors will accept thermocouple cable up to 4mm in diameter.

**Specifications****Specifications**

<b>Product Code</b>	XE-1029-001
<b>General Description</b>	Ideal for general purpose use. Contacts are polarised to ensure correct connection
<b>Thermocouple Type</b>	J JIS
<b>Connector Size</b>	Miniature
<b>Connector Type</b>	Plug & Socket
<b>Colour</b>	Yellow
<b>Max. Temperature</b>	220°C
<b>Pins</b>	Flat Pins
<b>+Positive Contact</b>	Iron
<b>-Negative Contact</b>	Copper Nickel
<b>Standards Met</b>	BS EN 50212:1997. RoHS