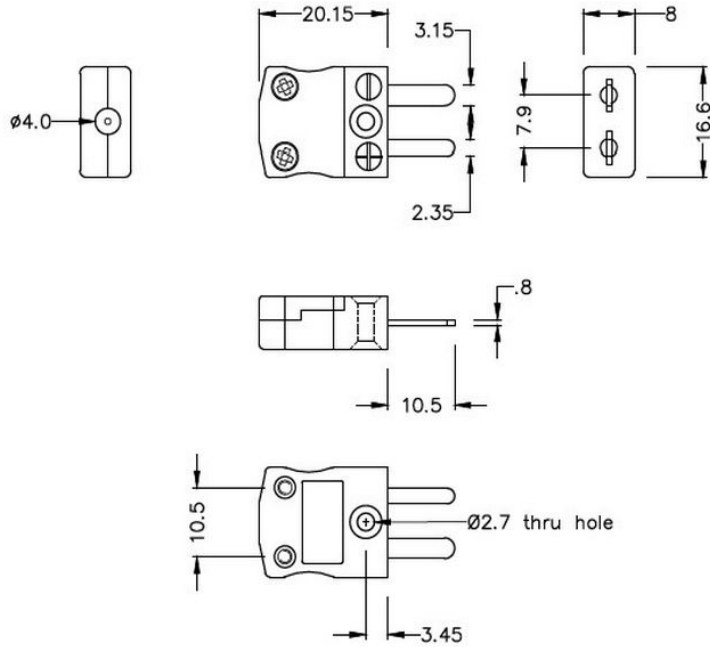
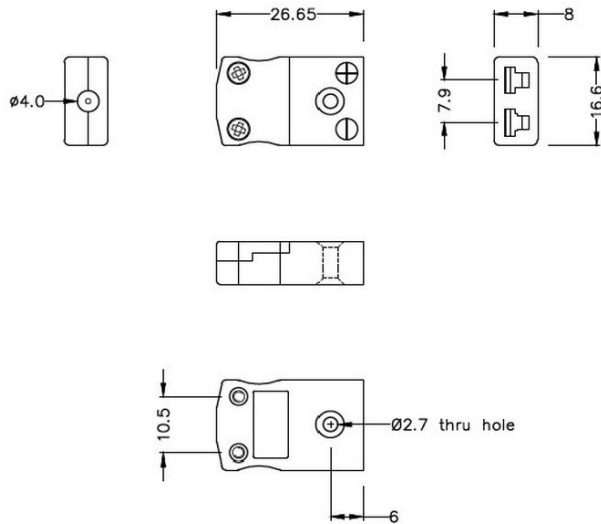


Miniature Thermocouple Connector Plug & Socket JM-E-M+F Type E JIS



Miniature in-line Plug
(dimensions in mm)



Miniature in-line Socket
(dimensions in mm)



Labfacility are the UK's leading manufacturer of Temperature Sensors, Thermocouple Connectors and associated Temperature Instrumentation and stockings of Thermocouple Cables. The Company has been trading since 1971 and is ISO9001 accredited.

Miniature Thermocouple Connector Plug & Socket JM-E-M+F Type E JIS

With flat pins to suit thermocouple type and ideal for general purpose use, all contacts are polarised to ensure correct connection. These connectors will accept thermocouple cable up to 4mm in diameter.

Specifications**Specifications**

Product Code	XE-1033-001
General Description	Ideal for general purpose use. Contacts are polarised to ensure correct connection
Thermocouple Type	E JIS
Connector Size	Miniature
Connector Type	Plug & Socket
Colour	Violet
Max. Temperature	220°C
Pins	Flat Pins
+Positive Contact	Nickel Chromium
-Negative Contact	Copper Nickel
Standards Met	BS EN 50212:1997. RoHS