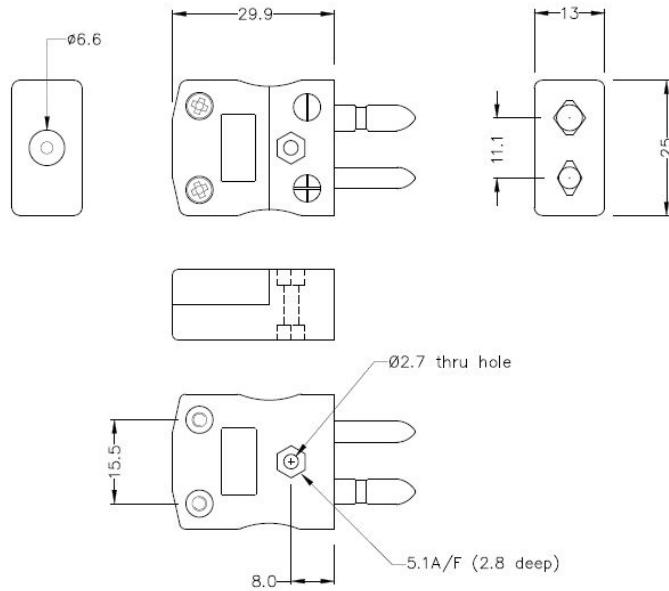
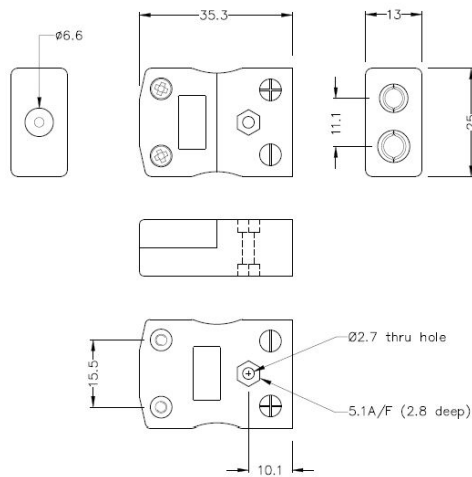


Standard Thermocouple Connector Plug & Socket JS-J-M+F Type J JIS



Standard in-line Plug
(dimensions in mm)



Standard in-line Socket
(dimensions in mm)



Labfacility are the UK's leading manufacturer of Temperature Sensors, Thermocouple Connectors and associated Temperature Instrumentation and stockings of Thermocouple Cables. The Company has been trading since 1971 and is ISO9001 accredited.

Standard Thermocouple Connector Plug & Socket JS-J-M+F Type J JIS

Contacts are made from true Thermocouple alloys. Suitable for industrial applications

Specifications**Specifications**

Product Code	XE-1075-001
General Description	Contacts are polarised to prevent incorrect connection
Thermocouple Type	J JIS
Connector Size	Standard
Connector Type	Plug & Socket
Colour	Yellow
Max. Temperature	220°C
Pins	Solid Round Pins
+Positive Contact	Iron
-Negative Contact	Copper Nickel
Standards Met	BS EN 50212:1997. RoHS