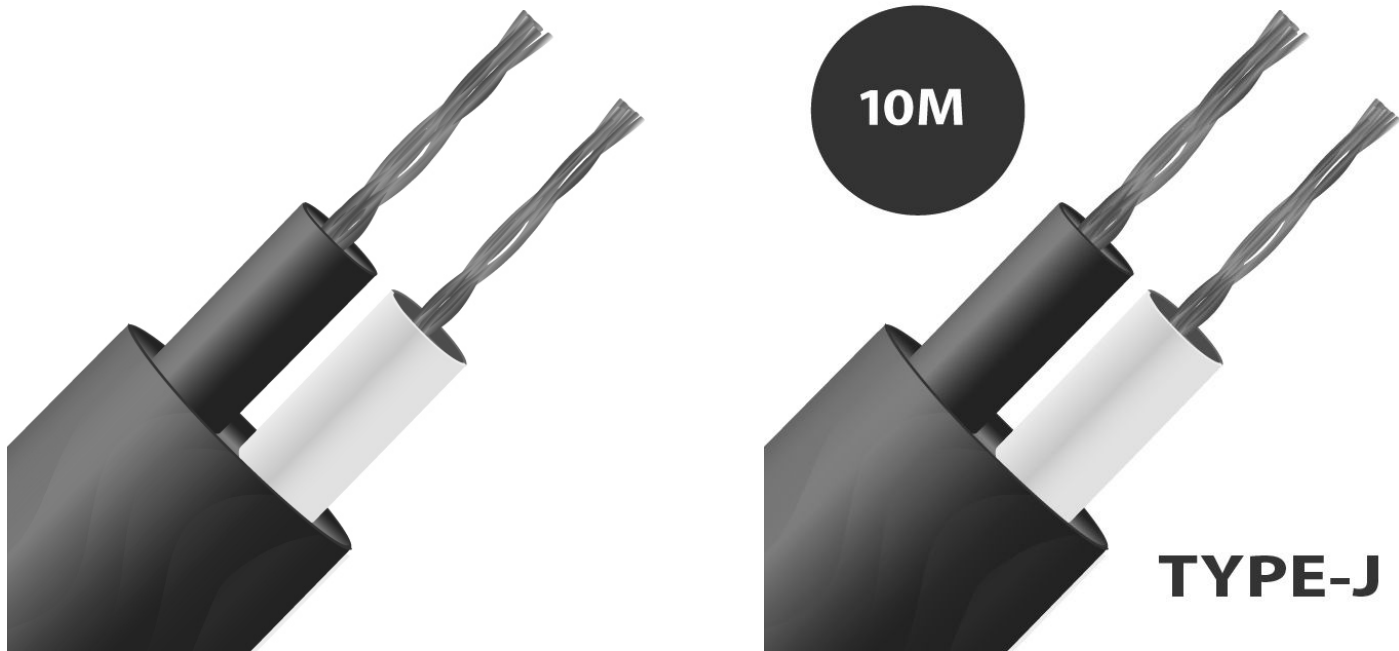


Silicone Rubber Insulated Thermocouple Cable / Wire (IEC) Type J



[Click here to view product](#)

Product Code	XE-2165
General Description	Good electrical and mechanical properties, highly flexible, resistant to oils, acids and other adverse fluids. Good heat resistance to 200°C although not suitable for direct use in high pressure steam applications.
Cable Length	10m, 25m, 50m, 100m
Core / Strands	7/0.2mm
Outer Colour	Black
+ Colour	Black
- Colour	White
Drain Wire	No

Insulation Material	Silicone rubber insulated 7/0.2mm conductors, twisted together with silicone rubber outer jacket
Max. Temperature	+200°C
Min. Temperature	-40°C
Screen	No
Standards Met	Colour code (cores & jacket) to IEC-584-3
Thermocouple Type	J
Tolerance	Class 2 to IEC-584