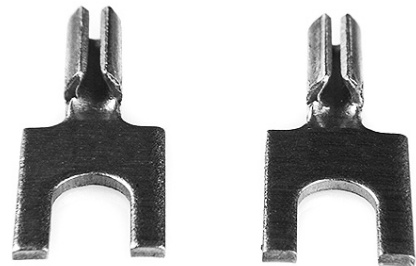
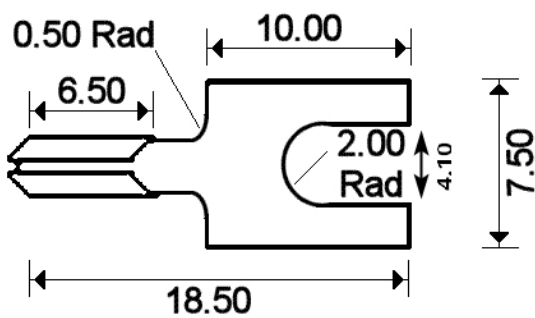
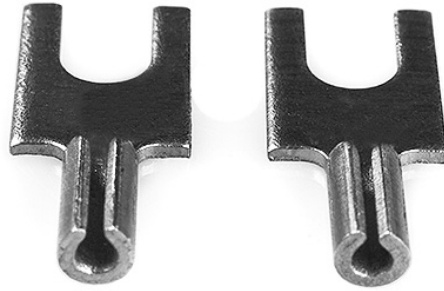


Thermocouple Spade Terminals Type T



Thermocouple Spade Terminal

Labfacility are the UK's leading manufacturer of Temperature Sensors, Thermocouple Connectors and associated Temperature Instrumentation and stockings of Thermocouple Cables. The Company has been trading since 1971 and is ISO9001 accredited.

Crimp-on spade terminals

Price per pack of 20 pairs

Suitable for IEC, ANSI and JIS calibration types.

Made from compatible thermocouple material

Thermocouple type stamped on terminal

Suits Labfacility & other barrier terminals

For wire sizes 0.5 to 1.0 mm

Specifications

Product Code	XE-1983-020
General Description	pack of 20 pairs
+Positive Contact	Copper
-Negative Contact	Copper Nickel