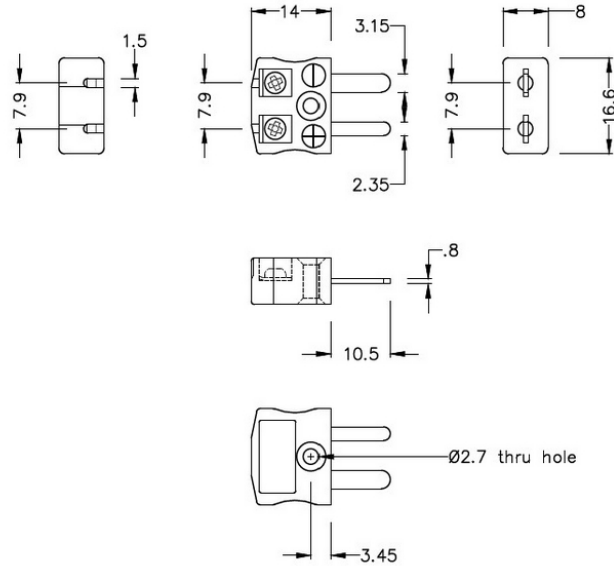
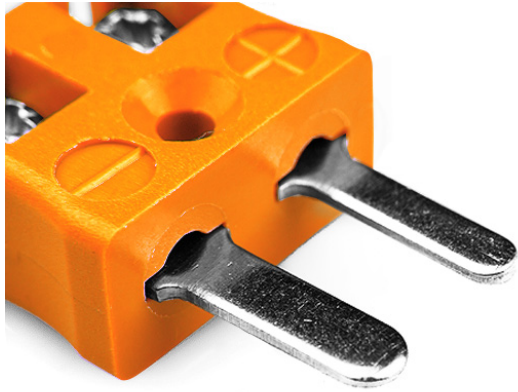


Miniature Quick Wire Thermocouple Connector Plug AM-N-MQ Type N ANSI



Miniature in-line Plug - Quick Wire
(dimensions in mm)

[Click here to view product](#)

Product Code	XE-1281-001
General Description	Easy jab-in connection for rapid termination.
Thermocouple Type	N ANSI
Connector Type	Quick Wire Plug
Connector Size	Miniature
Colour	Orange
Max. Temperature	220°C
Pins	Flat Pins
+Positive Contact	Nickel / Chromium / Silicon
-Negative Contact	Nickel Silicon



Standards Met	BS EN 50212:1997. RoHS
----------------------	------------------------

